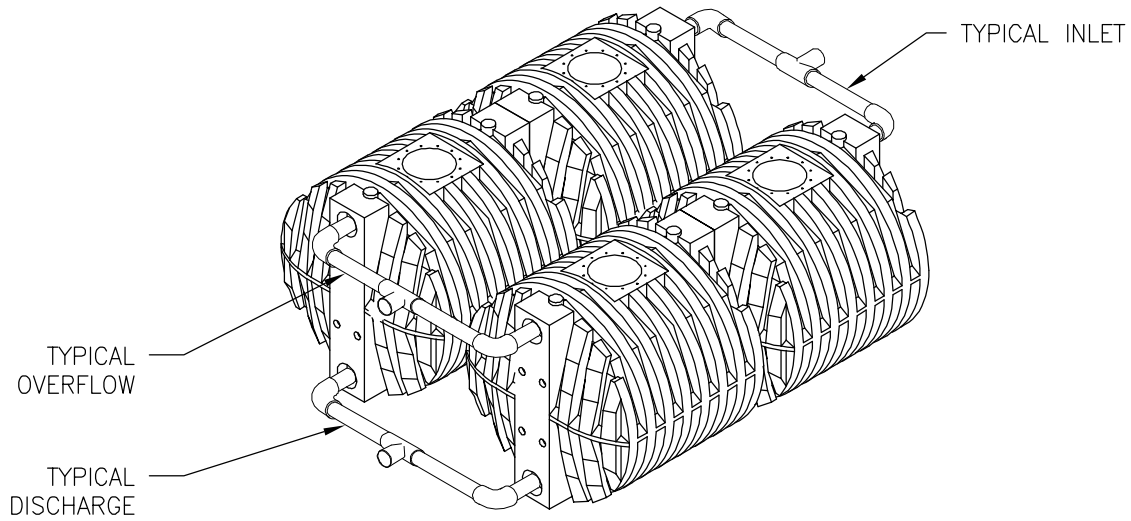
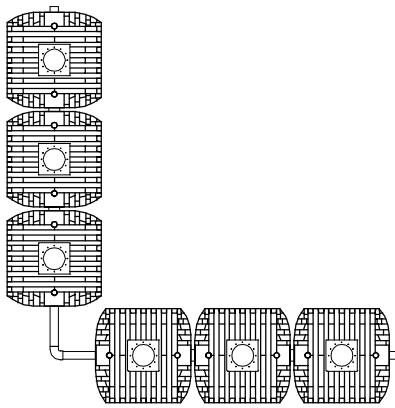


# Tank Configurations Incorporating Manifolds

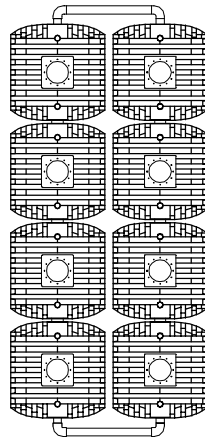
For Potable Water, Fire Protection, and Irrigation



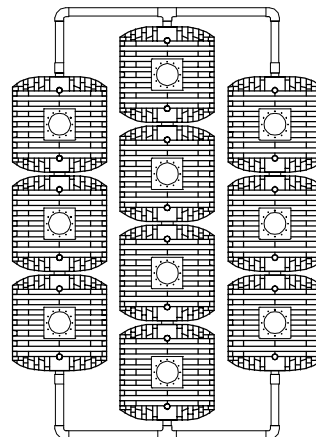
8,000 GALLONS



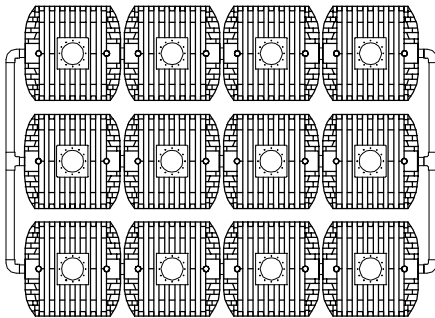
12,000 GALLONS



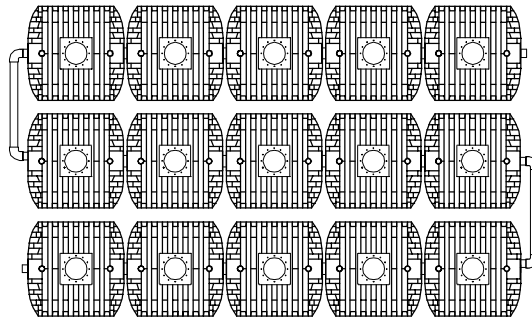
16,000 GALLONS



20,000 GALLONS



24,000 GALLONS  
PARALLEL SYSTEM



30,000 GALLONS  
SERIES SYSTEM

## NOTES:

1. OCTANKS CAN BE CONFIGURED FOR VARIOUS VOLUMES AND ANY "FOOTPRINT" INCORPORATING INTERCONNECTING MANIFOLD ASSEMBLIES.
2. MODULES CAN BE ASSEMBLED WITH MANIFOLDS AT EITHER END OF THE ROWS OR LEFT BLANK.