

Fire Protection System #2 - Poly OcTank

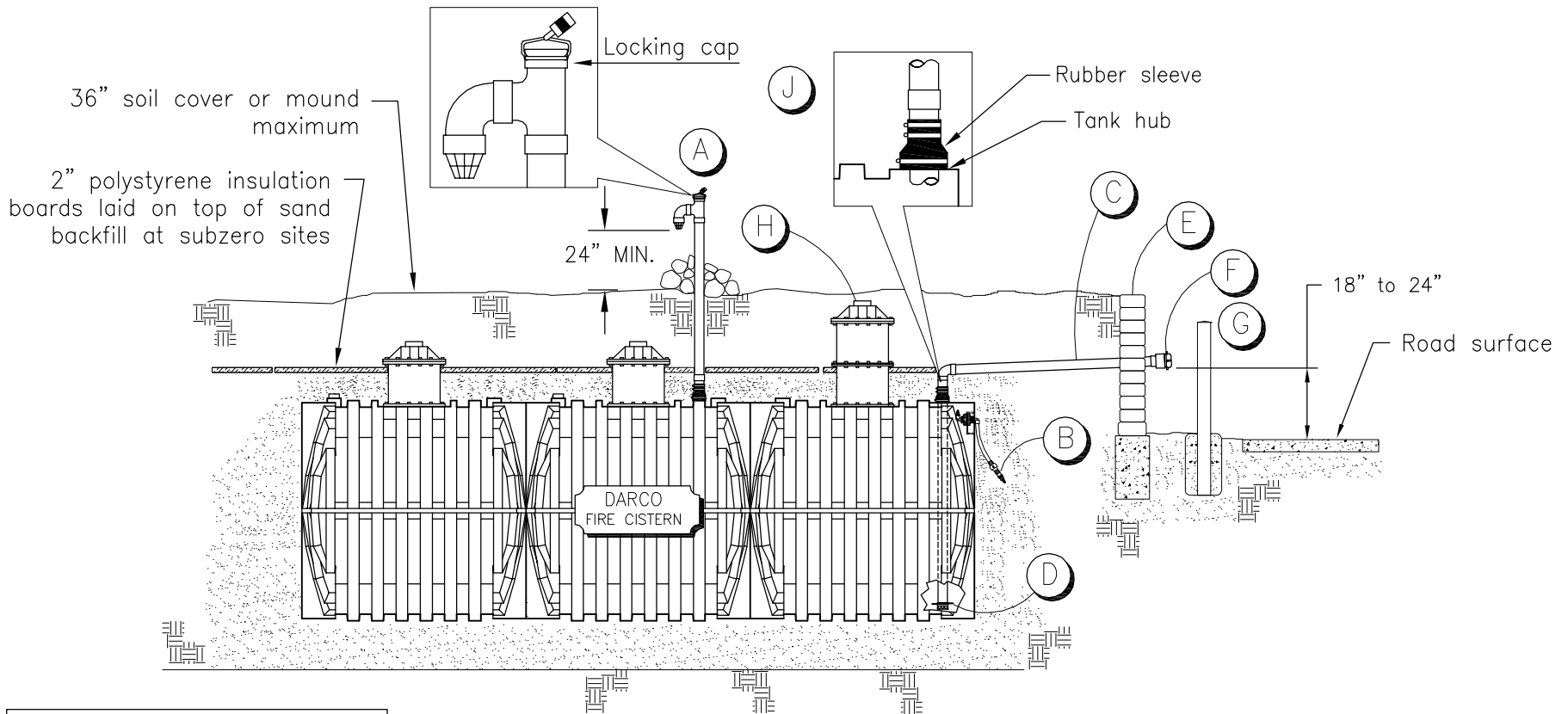
Minimum Lift - Draft

Accessories

- A 4" inspection fitting with lockable cap on a 6" vent riser for tanks without a manway extension to grade.
- B High level control to maintain correct air space above water.
- C Horizontal 6" PVC draw pipe assembly.
- D Anti-vortex plate at foot of draw pipe.
- E Retaining wall.
- F 6" NST-Male dry hydrant head with aluminum cap.
- G Pipe bollards in concrete.
- H Child safe buried manway access.
- J Rubber sleeve with stainless clamps seal pipe to tank hub.

Notes – Modular 6,000 gallon polyethylene fire cistern

- 1 Best draft design for high elevation sites, minimum lift required.
- 2 Reverse refill through dry hydrant with 2.5" hose adapter (50 PSI max).
- 3 Locate vent head above maximum anticipated snow level.
- 4 Draw pipe (C) must angle slightly upward to drain back toward tank.
- 5 Manway access to grade is an optional accessory (not required on fire cisterns).
- 6 Insulate entire excavated opening with 2" extruded polystyrene foam board.
- 7 Add or delete accessories to meet your specific water supply requirements.
- 8 Minimum lift design is our most popular and cost effective fire cistern.
- 9 Place stabilizing rocks around PVC riser pipes.
- 10 Installation and materials must follow Darco published instructions.



–SAMPLE TANK DESIGN–
 PRICE QUOTED MAY NOT INCLUDE
 ALL ACCESSORIES SHOWN ABOVE

Darco Inc.
 All Rights Reserved
 Revision 12/28/09