

Fire Protection System #1 - Poly OcTank

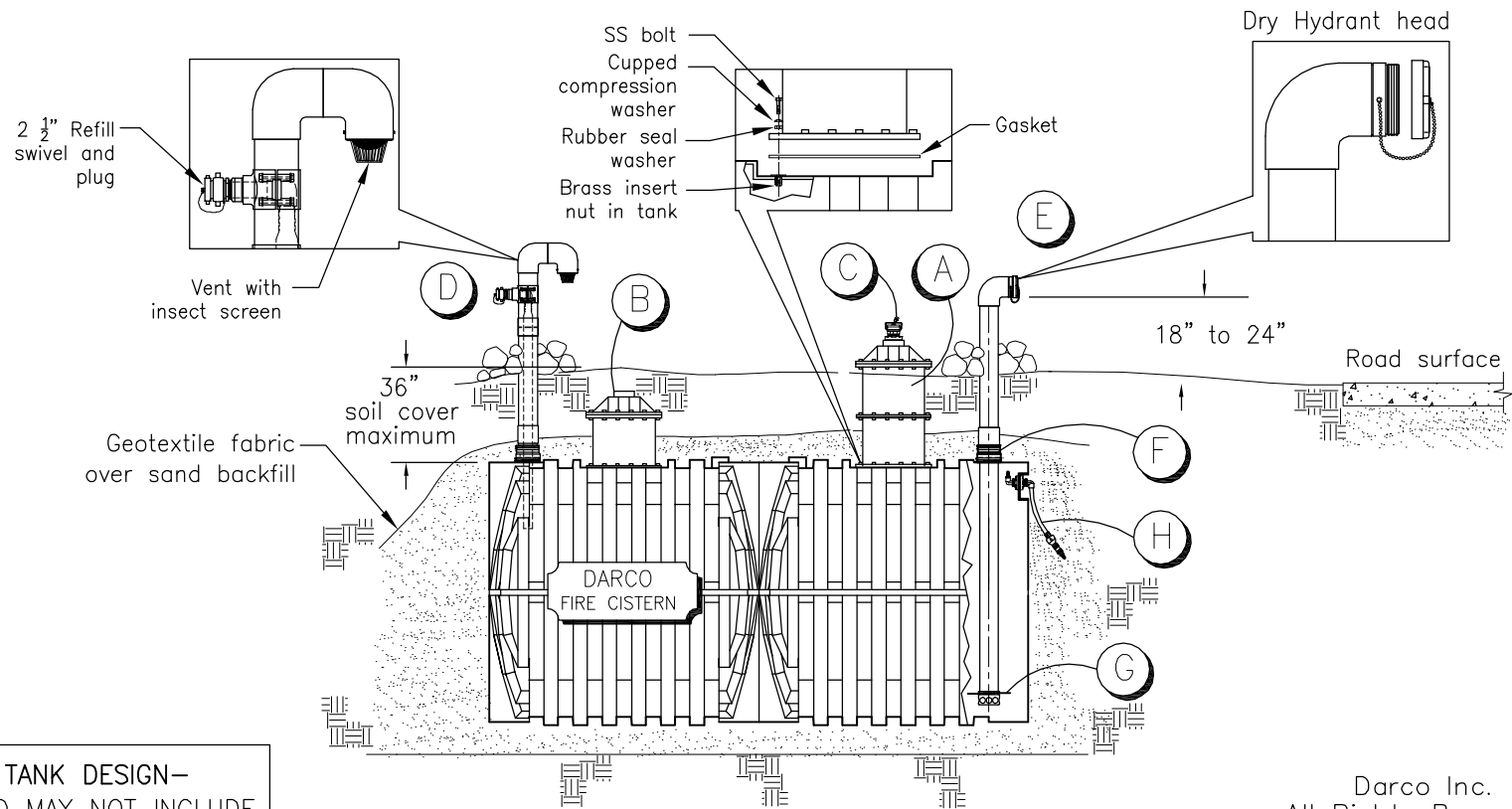
Standard Dry Hydrant - Draft

Accessories

- A 20" I.D. polyethylene spool type manway extension to grade.
- B Bolted polyethylene cover.
- C Lockable 3" water level inspection fitting on cover.
- D PVC vent with guard and stainless steel insect screen, shown with optional brass 2.5" NST female refill.
- E 6" NST-Male dry hydrant head with aluminum cap.
- F Top hub adapter to accept to 6" PVC draw pipe.
- G Anti-vortex plate at foot of draw pipe.
- H High level control to maintain correct air space above water.

Notes – Modular 4000 gallon polyethylene fire cistern

- 1 Refill through combination vent/refill or hydrant (50 PSI max).
- 2 Lift for 8' diameter tank = 13 vertical feet to hydrant head.
- 3 Manway access is an optional accessory (not required on fire cisterns).
- 4 Add or delete accessories to meet your specific water supply requirements.
- 5 We recommend geotextile fabric between sand backfill and soil cover.
- 6 Height of hydrant (E) should be below pump inlet to avoid trapped air.
- 7 Place stabilizing rocks around PVC riser pipes.
- 8 Avoid locating tanks where ground water accumulation is likely.
- 9 Installation and materials must follow Darco published instructions.



-SAMPLE TANK DESIGN-
 PRICE QUOTED MAY NOT INCLUDE
 ALL ACCESSORIES SHOWN ABOVE

Darco Inc.
 All Rights Reserved
 Revision 12/18/09